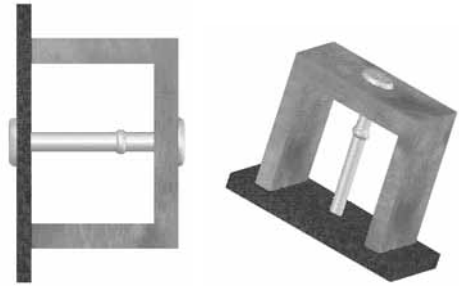
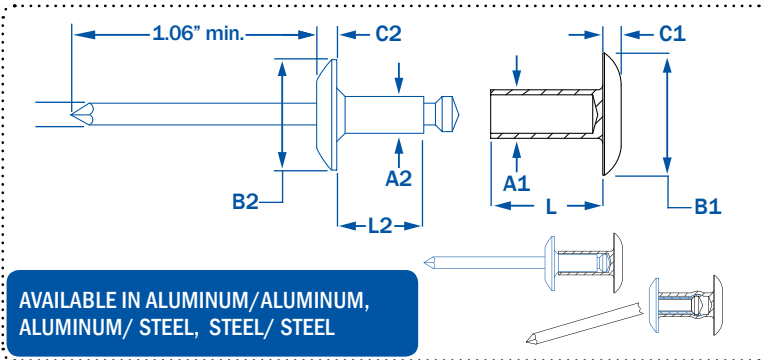


RIVETKING® CHECKMATE®

THE FOLLOWING PRODUCT IS COVERED UNDER THE FOLLOWING PATENT/TRADEMARK 3,504,664

2 PIECE RIVET • MALE/FEMALE

The RivetKing® Checkmate® is the only breakstem permanent fastener to have near flush and aesthetically appealing installation on both sides. A true head on both sides of the rivet. This rivet is offered in extended lengths and has one of the longest grip ranges available.



NOM. BODY DIA.	PART CODE	GRIP RANGE		LENGTH MAX.	FEMALE COMPONENT			MALE COMPONENT			L2
		MIN.	MAX.		FEMALE DIA. A1	HEAD DIA. B1	HEAD HEIGHT C1	MALE DIA. A2	HEAD DIA. B2	HEAD HEIGHT C2	
3/16"	6-12-CM	0.625	0.750	0.585	0.187	0.375	0.060	.125	.375	.060	.525
	6-14-CM	0.687	0.875	0.647							
	6-17-CM	0.875	1.062	0.825							
	6-20-CM	1.062	1.250	1.012							
	6-23-CM	1.250	1.437	1.200							
	6-26-CM	1.437	1.625	1.387							
	6-29-CM	1.625	1.812	1.575							
	6-32-CM	1.812	2.000	1.762							
	6-35-CM	2.000	2.187	1.950							
1/4"	8-12-CM	0.625	0.750	0.580	0.250	0.625	.100	0.187	.625	.100	.608
	8-14-CM	0.750	0.875	0.695							
	8-18-CM	0.875	1.125	0.820							
	8-22-CM	1.125	1.375	1.070							
	8-26-CM	1.375	1.625	1.320							
	8-30-CM	1.625	1.875	1.570							
	8-34-CM	1.875	2.125	1.820							
	8-38-CM	2.125	2.375	2.070							
	8-42-CM	2.375	2.625	2.320							
	8-46-CM	2.625	2.875	2.570							
	8-50-CM	2.875	3.125	2.820							
	8-54-CM	3.125	3.375	3.070							
	8-58-CM	3.375	3.625	3.320							
	8-62-CM	3.625	3.875	3.570							

MATERIALS	
ALL STEEL	SBS
ALL ALUMINUM	ABA
ALUMINUM STEEL	ABS

INSTALLED VALUES				
INSTALLED VALUES IN NOMINAL GRIP (lbs.)				
RIVET/MANDREL/TUBULAR COMPONENT:				
		ALUM/ALUM/ALUM	STEEL/STEEL/STEEL	ALUM/STEEL/ALUM
3/16"	TENSILE	100	200	300
1/4"	TENSILE	200	350	450



1.800.BUY.RIVET